

FILE: J:\CUSTDWG\CATRL\CD-00202

INDUCTANCE

LOSSES

WEIGHT

NO.

CHANGE DESCRIPTION

BY

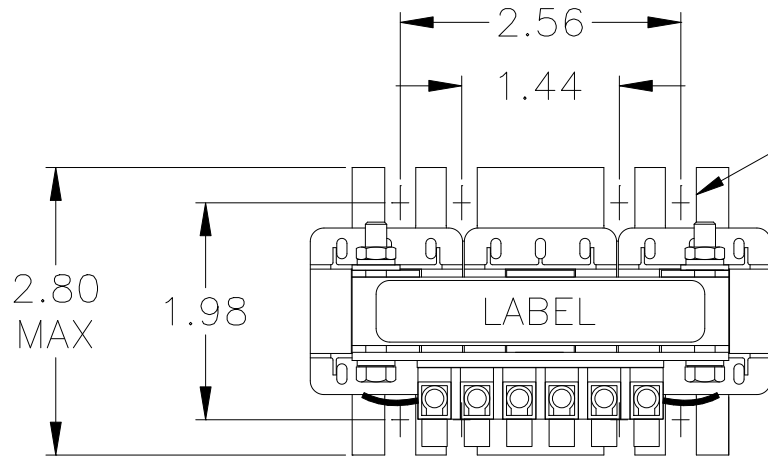
DATE

C'K'D

20 mH

11.3 Watts

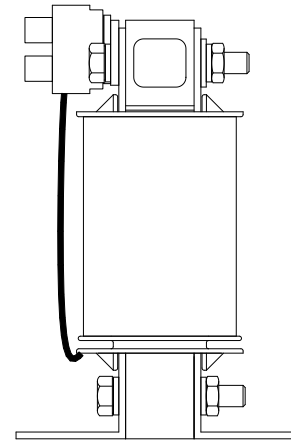
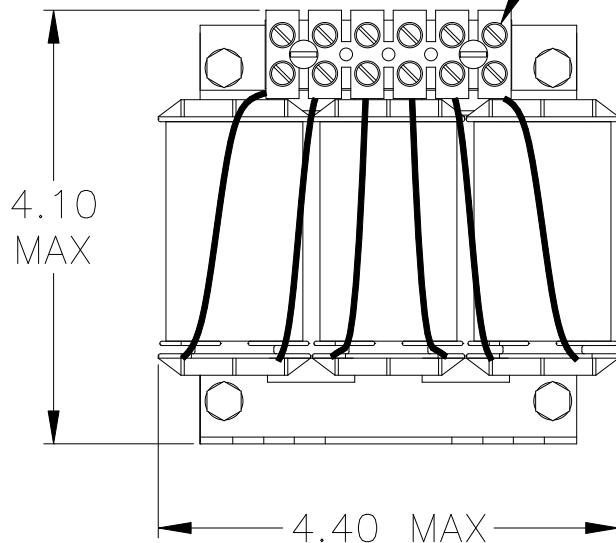
4 Lbs



0.281 SLOTS  
(8 PLC)

WIRE RANGE: 22-10 AWG

CAUTION-TERMINAL SCREW TIGHTENING  
TORQUE: 4.5 in-lb MAX.



UNLESS OTHERWISE SPECIFIED, DIMENSIONS ARE IN INCHES [mm] AND TOLERANCES ARE:

DECI.                      FRAC.

ANGLES                      DRILLED HOLES

PART NAME: 3-PHASE REACTOR

DESCRIPTION: OUTLINE DIMENSION

FINISH:

MTE CORPORATION  
MENOMONEE FALLS, WISCONSIN

RL-00202

REV.  
14

SCALE NTS      DATE 02/25/94      C'K'D

REF.                      DR. BY RD      APP'D